

1

2

3

4

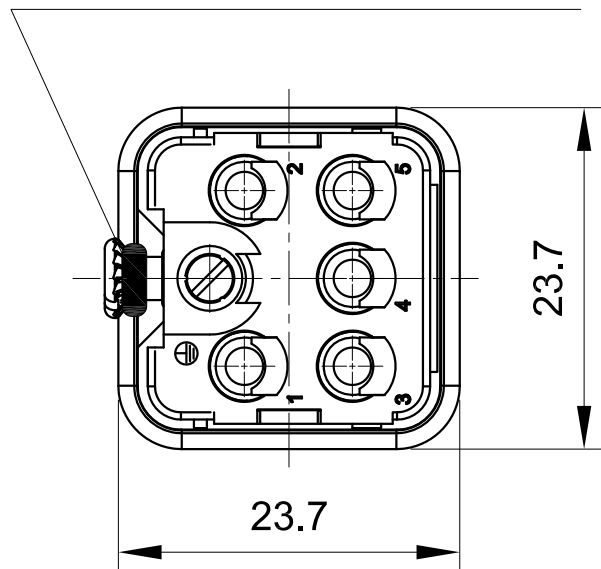
5

6

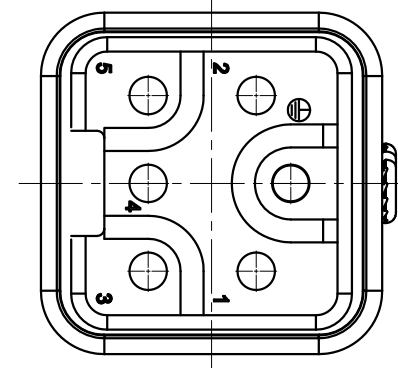
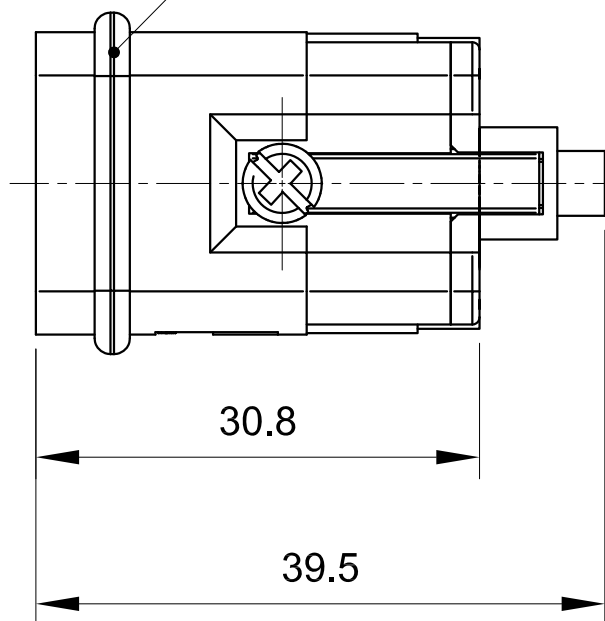
A

A

Countersunk screw M3x6-4.8



Seal

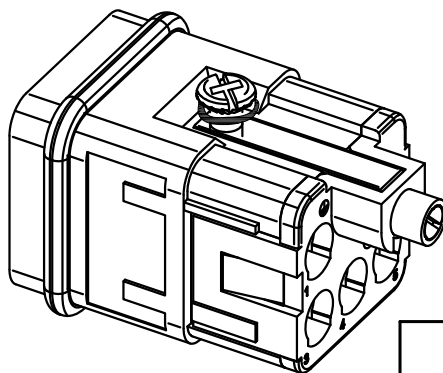


B

B

Technical data:

- No. of contact: 5
- Termination method: Crimp termination
- Gender: Male
- Size: A3
- Conductor cross-section: 0.14 ... 2.5 mm²
- Rated current: 16A
- Rated voltage conductor-earth: 230V
- Rated voltage conductor-conductor: 400V
- Rated impulse voltage: 4kV
- Pollution degree: 3
- Rated voltage acc.to UL: 600V
- Insulation resistance: $\geq 10^{10}\Omega$
- Limiting temperature: -40 ... +125°C
- Material(insert): Polycarbonate
- Color(insert): RAL 7032(pebble grey)
- Mating cycles: ≥ 500
- Material flammability class acc. to UL94: V-0
- RoHS: Compliant
- Specifications: IEC61984, EN60664-1



C

C

D

D



All Dimensions in mm
Original Size DIN A4

Date
2019-03-14

Drawing No.
TC7196141

Rev.
A00

Scale
1:1



InKonn (Suzhou) Electric Technology Co.,Ltd.

Part No.
10 36 005 2100

Created by
Shuxu Huang

Checked by
Yiyi Luo

Page
1/1

Type Name
IQ-005/0-CM

1

2

3

4

5

6