

1

2

3

4

5

6

A

A

B

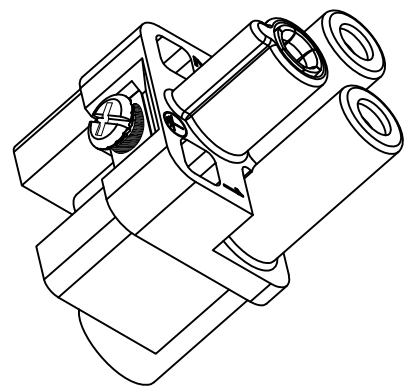
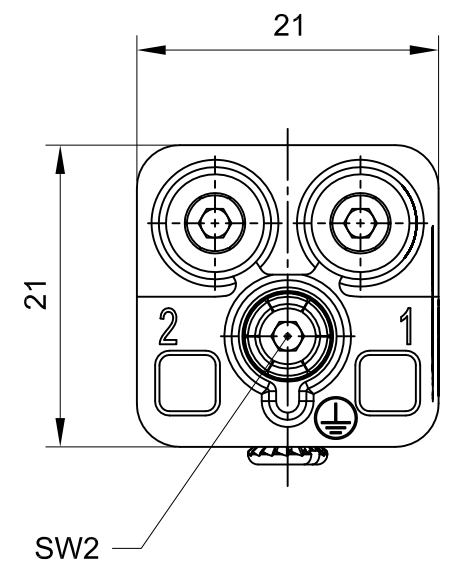
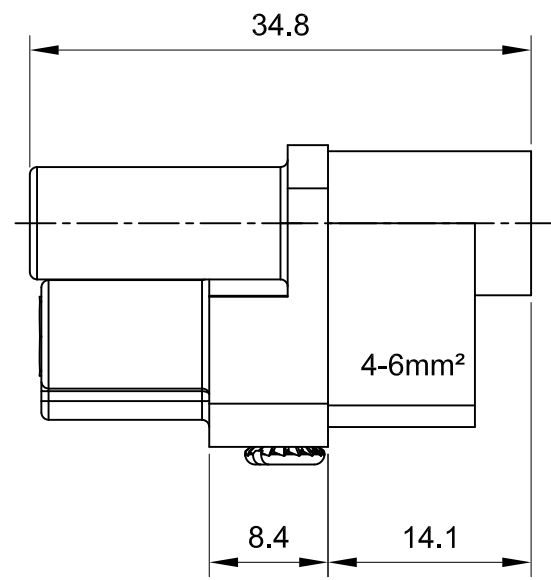
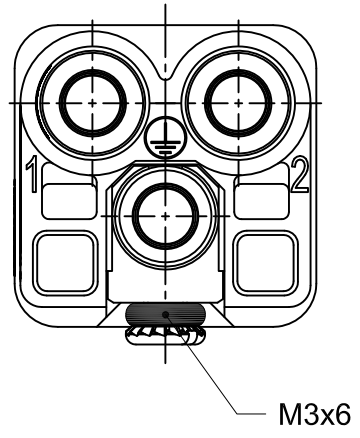
B



C

C

D

D



| | | | | | |
|---|--|---------------------------|--------------------------|-------------|--------------|
|  InKonn (Suzhou) Electric Technology Co.,Ltd. |  All Dimensions in mm Original Size DIN A4 | Date 2019-12-10 | Drawing No. TC0686602 | Rev. A00 | Scale 2:1 |
| | Part No. 10 36 002 1201 | Created by Shuxu Huang | Checked by Yiyi Luo | Page 1/1 | |
| Type Name IQ-002.2-F | | | | | |

1

2

3

4

5

6