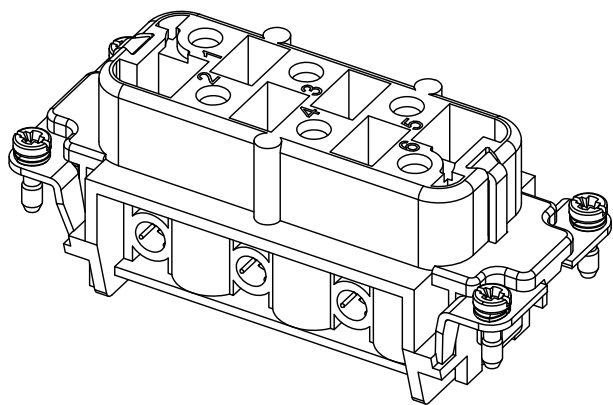
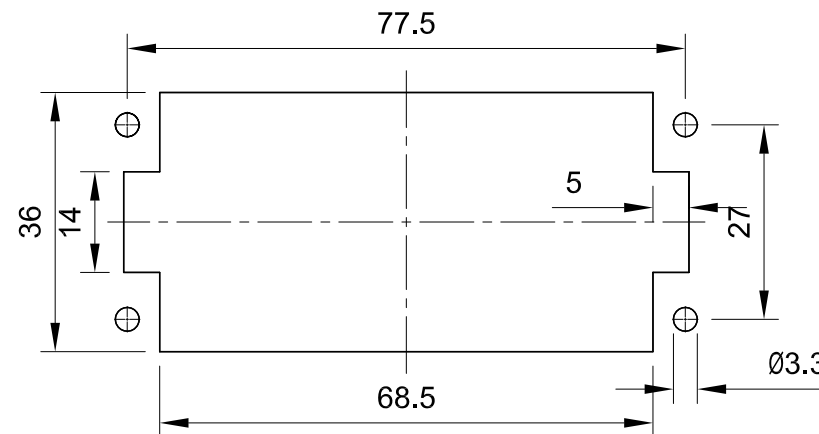



Panel cut out



 All Dimensions in mm Original Size DIN A4	Date 2019-06-05	Drawing No. TC2014405	Rev. A00	Scale 1:1
	Part No. 10 35 006 1200	Created by Shuxu Huang	Checked by Yiyi Luo	Page 1/1
InKonn® InKonn (Suzhou) Electric Technology Co.,Ltd. Type Name ISB-006-F				