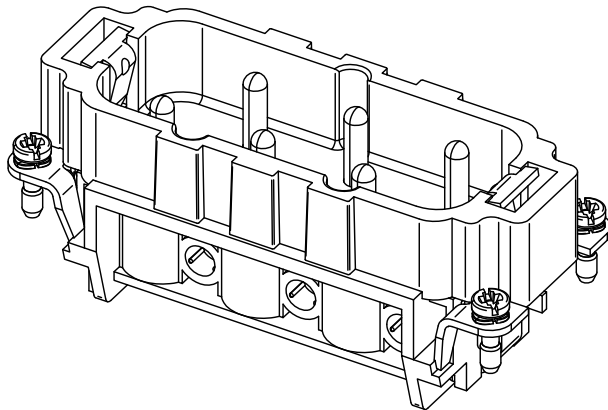
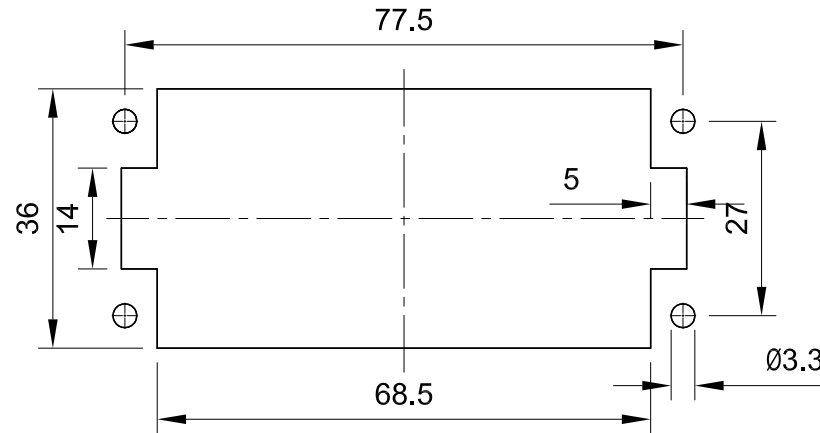


Panel cut out



All Dimensions in mm Original Size DIN A4	Date 2019-06-15	Drawing No. TC2017331	Rev. A00	Scale 1:1
	Part No. 10 35 006 1100	Created by Shuxu Huang	Checked by Yiyi Luo	Page 1/1
Type Name ISB-006-M				

InKonn (Suzhou) Electric Technology Co., Ltd.

