

1

2

3

4

5

6

A

A

B

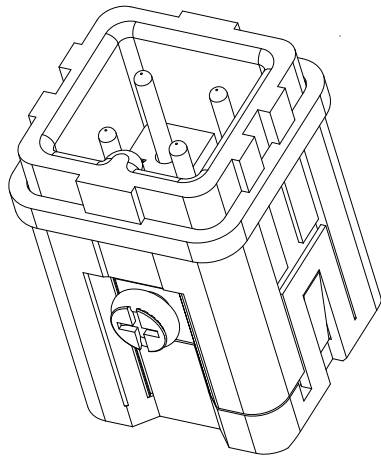
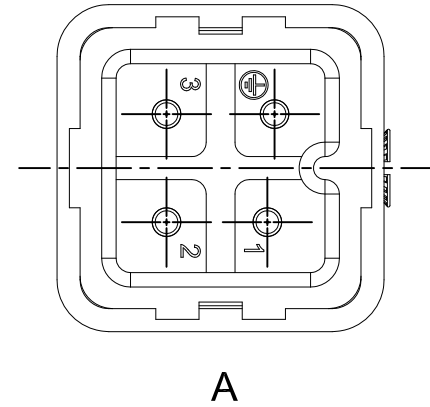
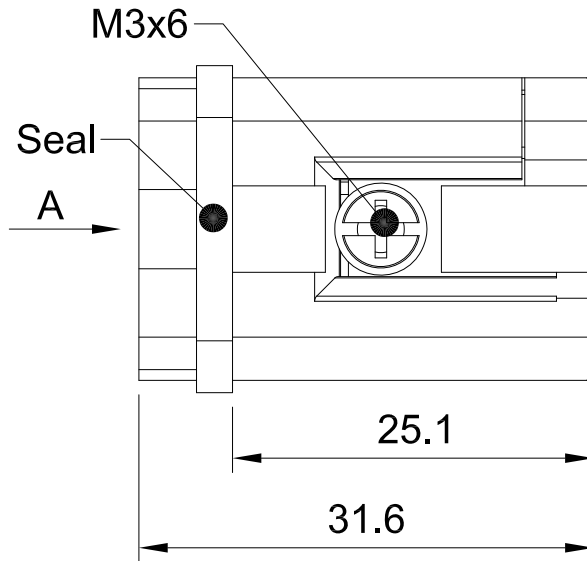
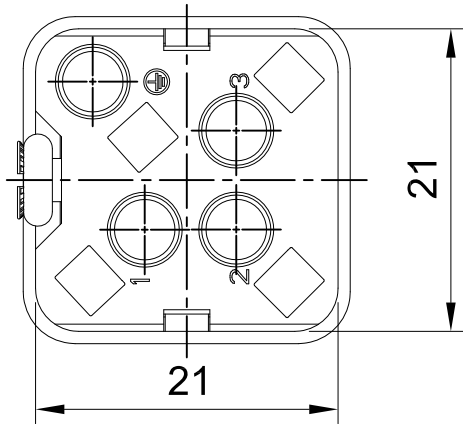
B



C

C

D

D



| | | | | |
|--|---|----------------------------|---------------------------|------------------------|
|  All Dimensions in mm Original Size DIN A4 | Date 2020-12-25 | Drawing No. TC3689506 | Rev. A00 | Scale 2:1 |
| |  InKonn® InKonn (Suzhou) Electric Technology Co.,Ltd. | Part No. 10 30 003 3101 | Created by Shuxu Huang | Checked by Yiyi Luo |
| Type Name IA-003-SM/FPM | | | | |

1

2

3

4

5

6