

1

2

3

4

5

6

A

B

C

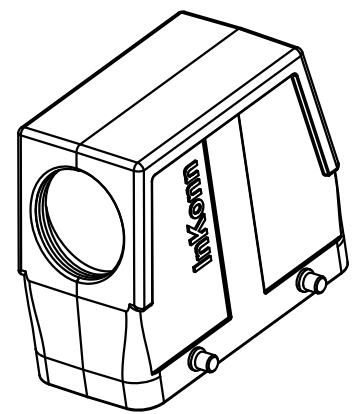
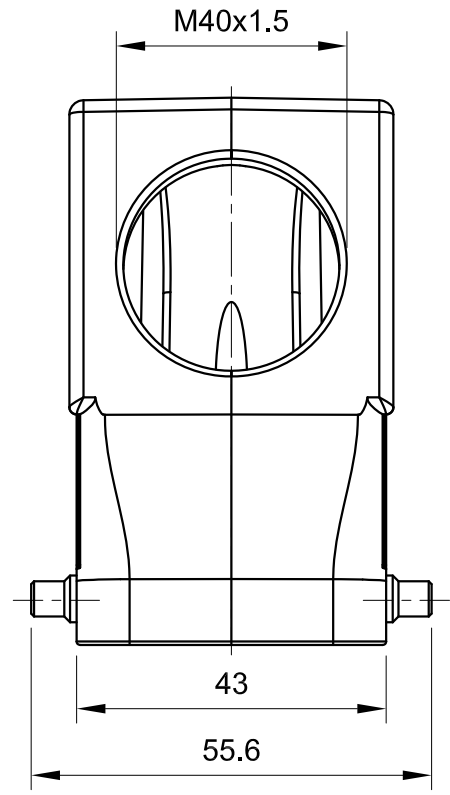
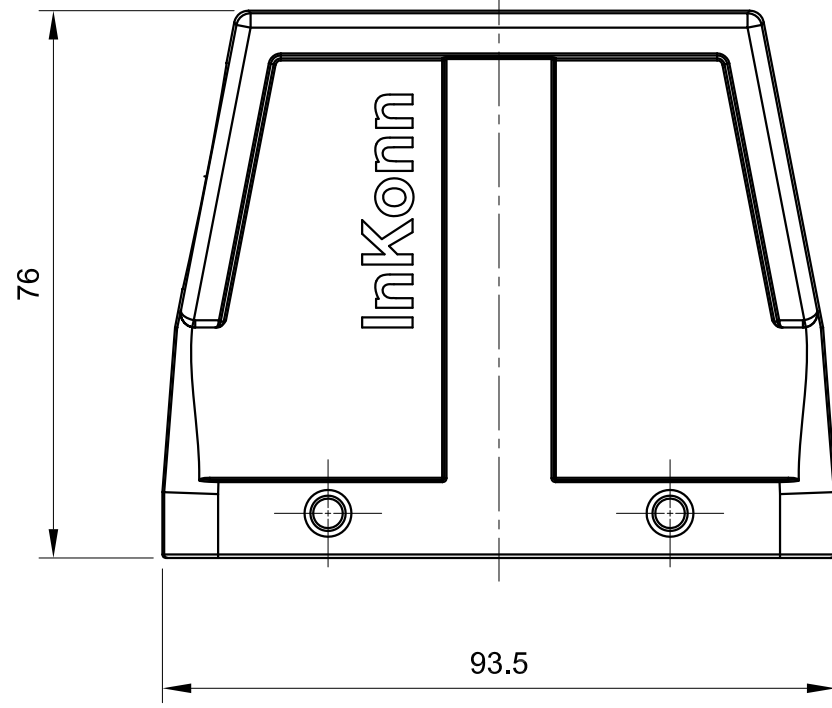
D



A

B

C

D



 All Dimensions in mm Original Size DIN A4	Date 2020-07-10	Drawing No. TC2059378	Rev. A00	Scale 1:1
	Part No. 10 12 016 1144	Created by Shuxu Huang	Checked by Yiyi Luo	Page 1/1
 InKonn (Suzhou) Electric Technology Co.,Ltd. Type Name <b>HMB16-HSE-QP-M40</b>				

1

2

3

4

5

6