

1

2

3

4

5

6

A

A

B

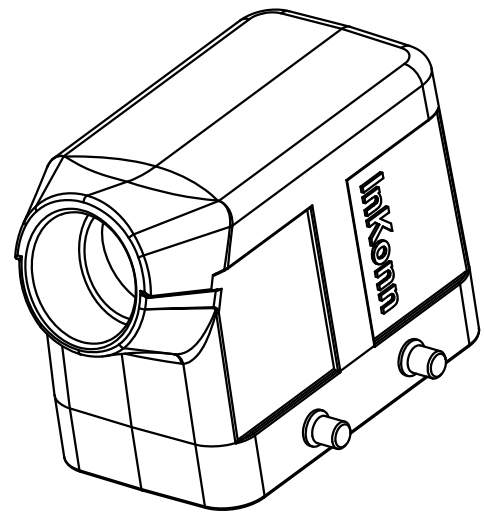
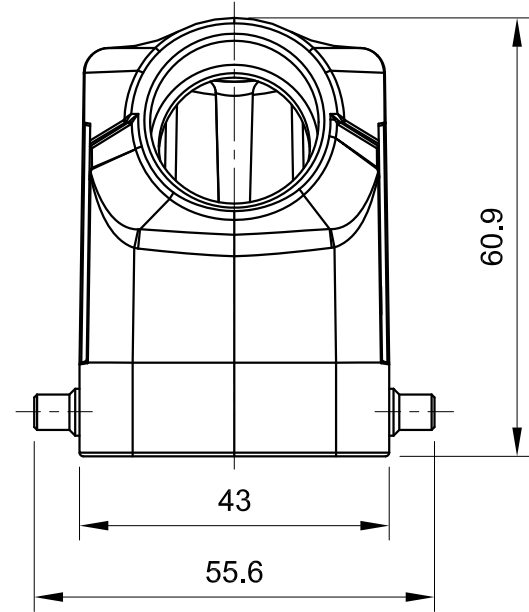
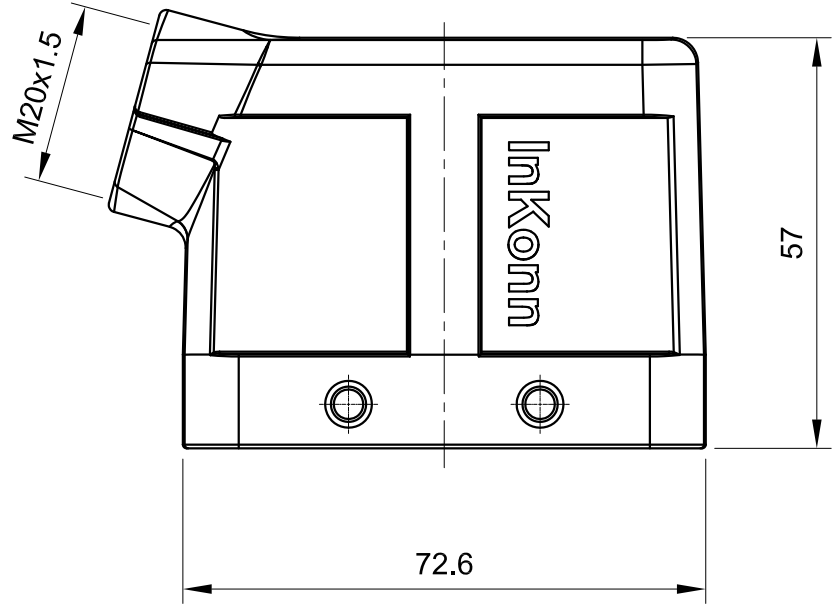
B



C

C

D

D



 InKonn (Suzhou) Electric Technology Co.,Ltd.	 All Dimensions in mm Original Size DIN A4	Date 2020-07-10	Drawing No. TC8132289	Rev. A00	Scale 1:1
	Type Name HMB10-SE-QP-M20	Part No. 10 12 010 0141	Created by Shuxu Huang	Checked by Yiyi Luo	Page 1/1

1

2

3

4

5

6