

PG29

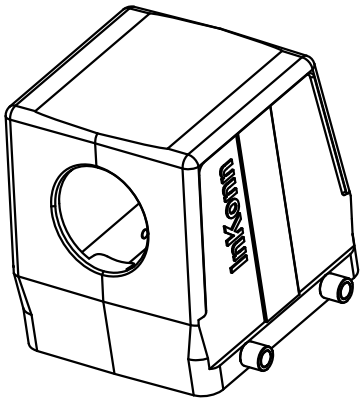
InKonn

93.5

94

82.5

99.1



<p>All Dimensions in mm Original Size DIN A4</p>	Date 2020-03-24	Drawing No. TC0841664	Rev. A00	Scale 1:1
	Part No. 10 11 832 1144	Created by Shuxu Huang	Checked by Yiyi Luo	Page 1/1
<p>InKonn (Suzhou) Electric Technology Co.,Ltd.</p>				

InKonn[®]

Type Name
HB32-HSE-QR-PG29