

1 2 3 4 5 6

A

B

C

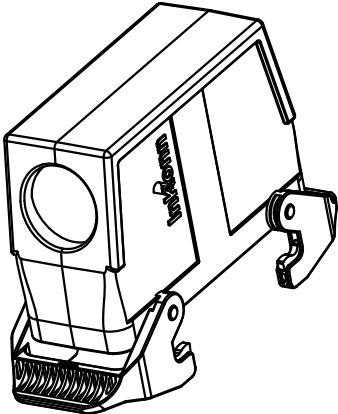
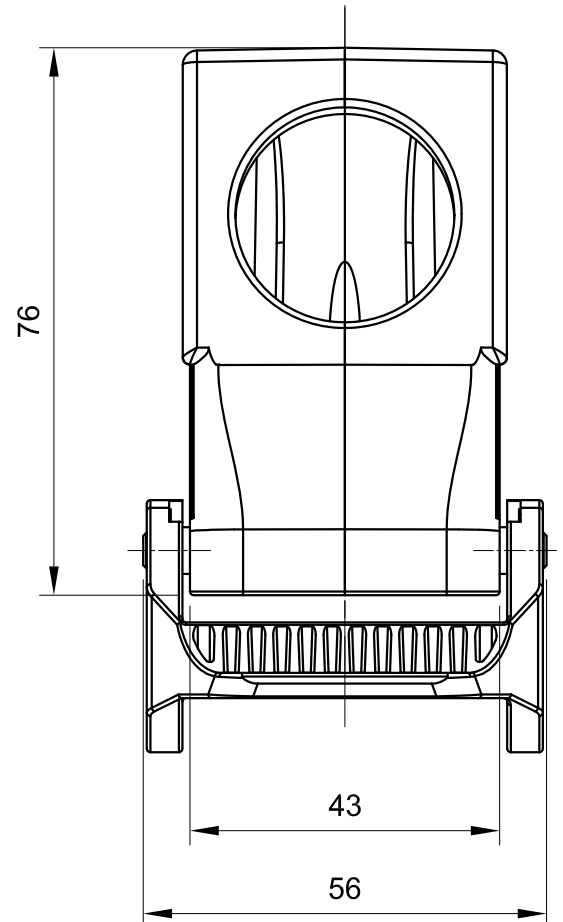
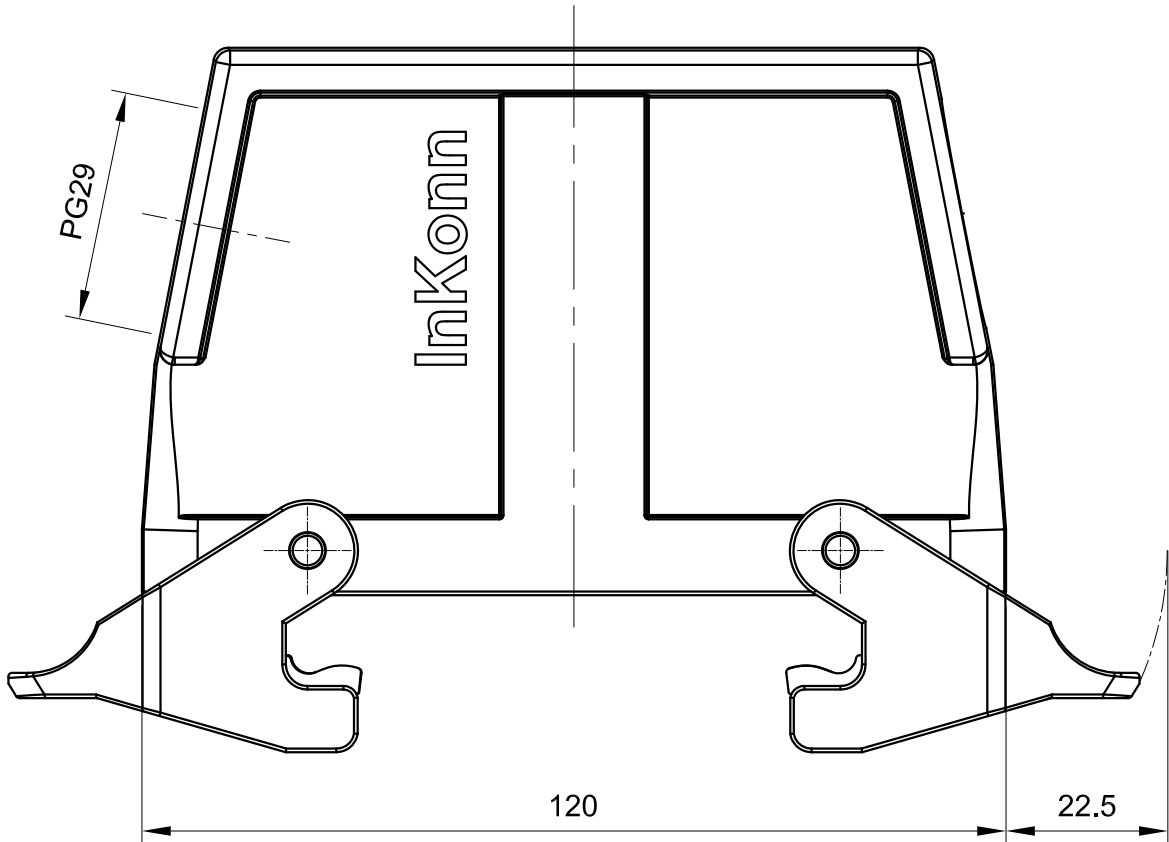
D



A

B

C

D



 InKonn (Suzhou) Electric Technology Co.,Ltd.	 All Dimensions in mm Original Size DIN A4	Date 2019-05-12	Drawing No. TC6648890	Rev. A00	Scale 1:1
	Type Name HB24-HSE-DL-PG29	Part No. 10 11 824 1124	Created by Shuxu Huang	Checked by Yiyi Luo	Page 1/1

1 2 3 4 5 6