

1

2

3

4

5

6

A

A

B

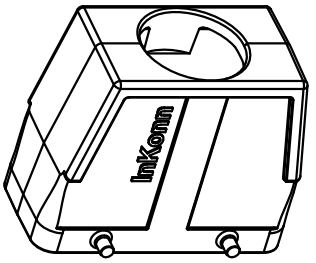
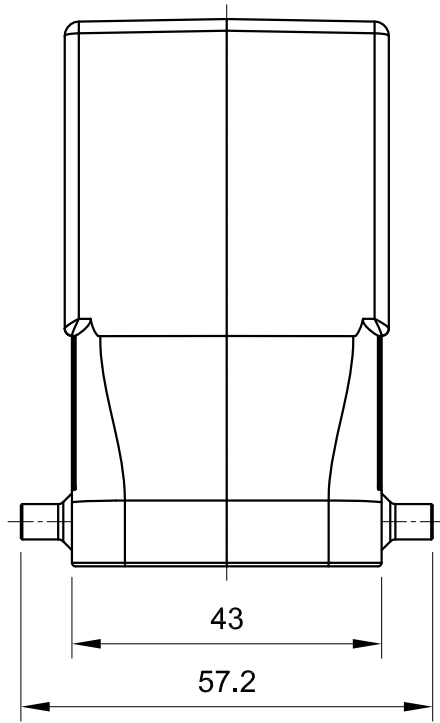
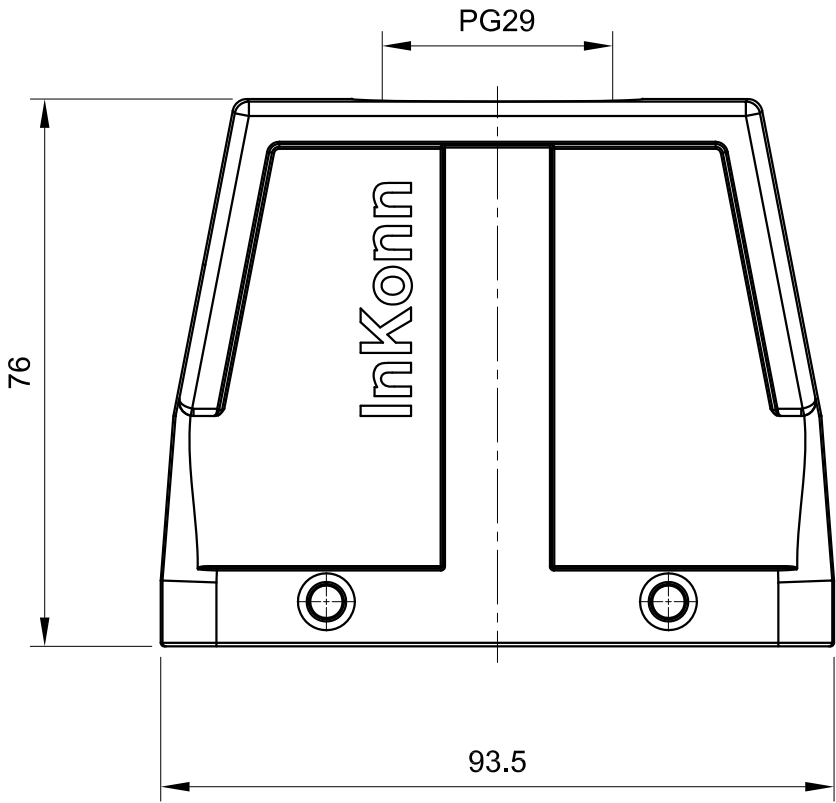
B


C

C

D

D



 All Dimensions in mm Original Size DIN A4	Date 2020-07-11	Drawing No. TC1917484	Rev. A00	Scale 1:1
	Part No. 10 11 816 1044	Created by Shuxu Huang	Checked by Yiyi Luo	Page 1/1
InKonn (Suzhou) Electric Technology Co.,Ltd. Type Name <b>HB16-HTE-QB-PG29</b>				

1

2

3

4

5

6