

1

2

3

4

5

6

A

B

C

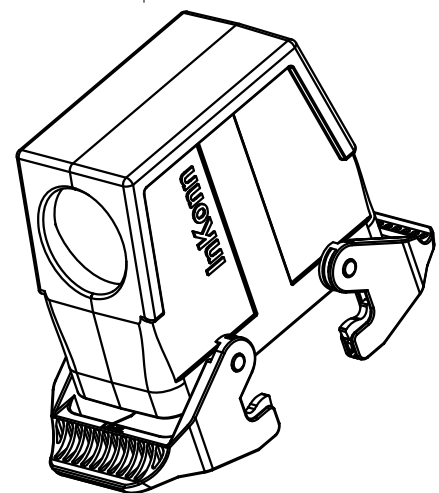
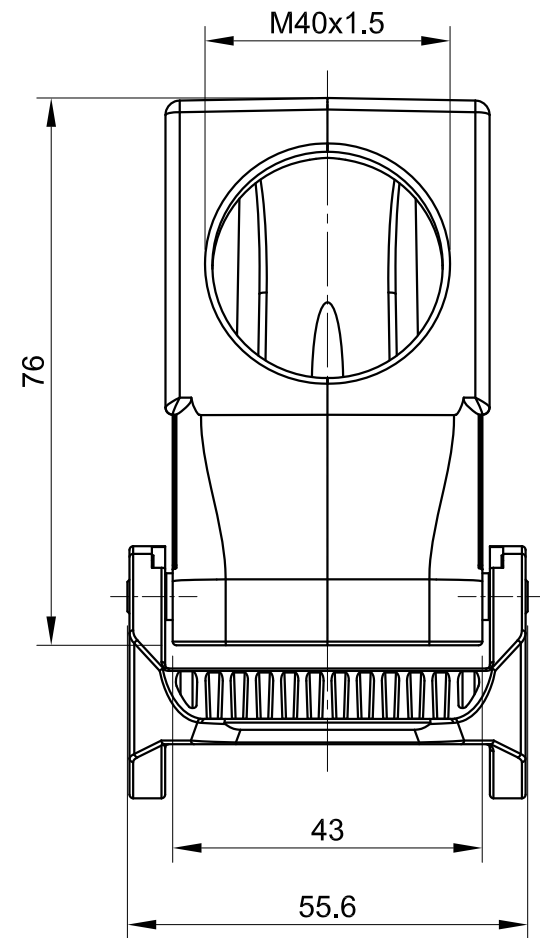
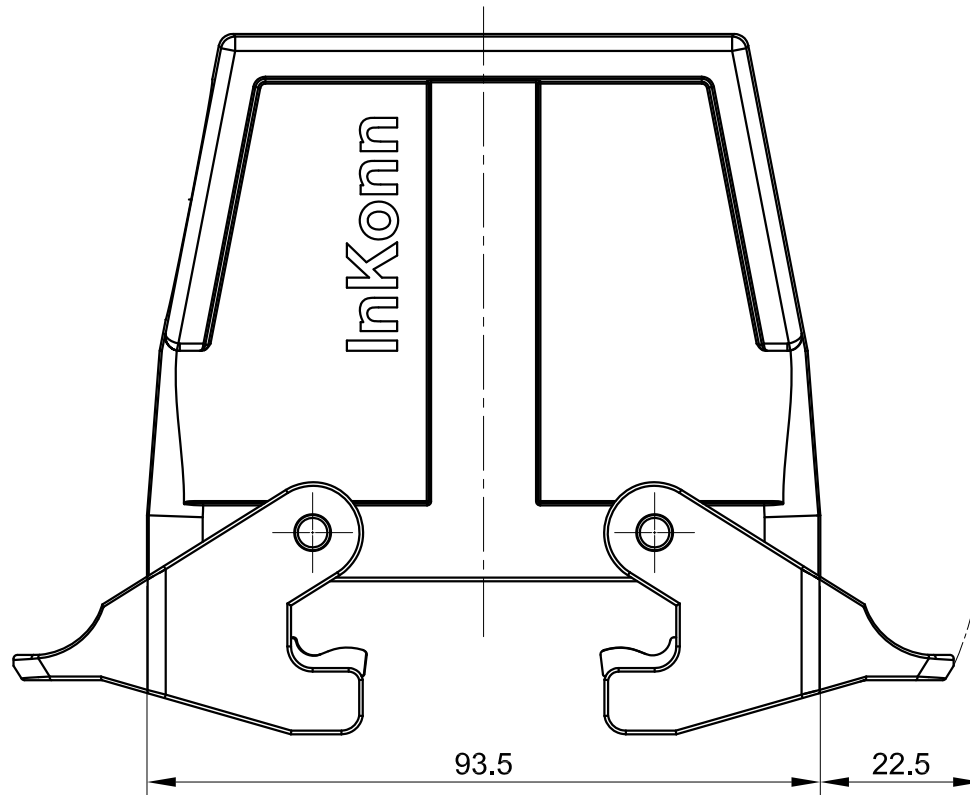
D



A

B

C

D



 All Dimensions in mm Original Size DIN A4	Date 2019-07-10	Drawing No. TC3022250	Rev. A00	Scale 1:1
	Part No. 10 11 016 1124	Created by Shuxu Huang	Checked by Yiyi Luo	Page 1/1
 InKonn® InKonn (Suzhou) Electric Technology Co.,Ltd. Type Name HB16-HSE-DL-M40				

1

2

3

4

5

6