

2-M25x1.5

Ø5.6

105

117

55.8

19.9

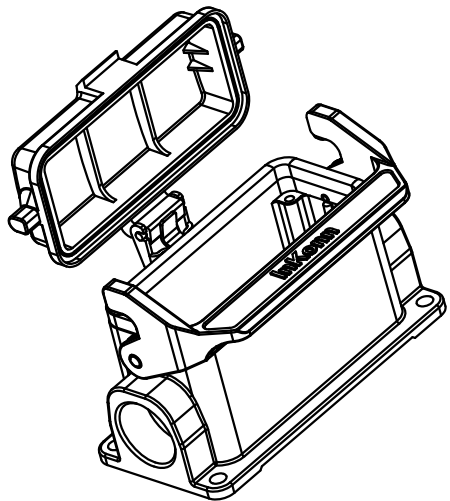
45


65.4

57

15.4

Seal



 InKonn (Suzhou) Electric Technology Co.,Ltd.	All Dimensions in mm Original Size DIN A4	Date 2019-10-14	Drawing No. TC3705013	Rev. A00	Scale 1:1.5
	Part No. 10 11 016 0653	Created by Shuxu Huang	Checked by Yiyi Luo	Page 1/1	Type Name HB16-SM-PC-SL-2M25