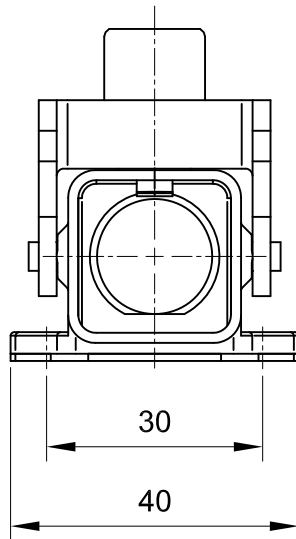
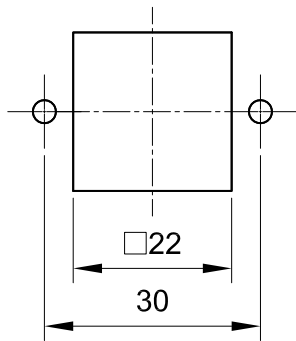
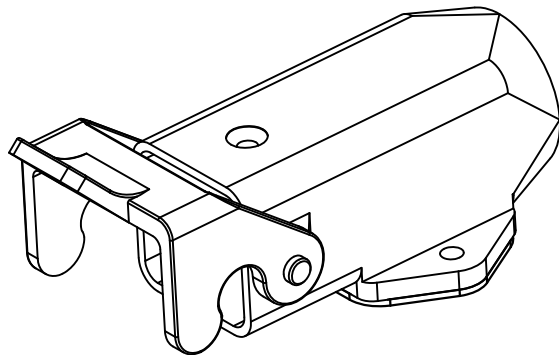
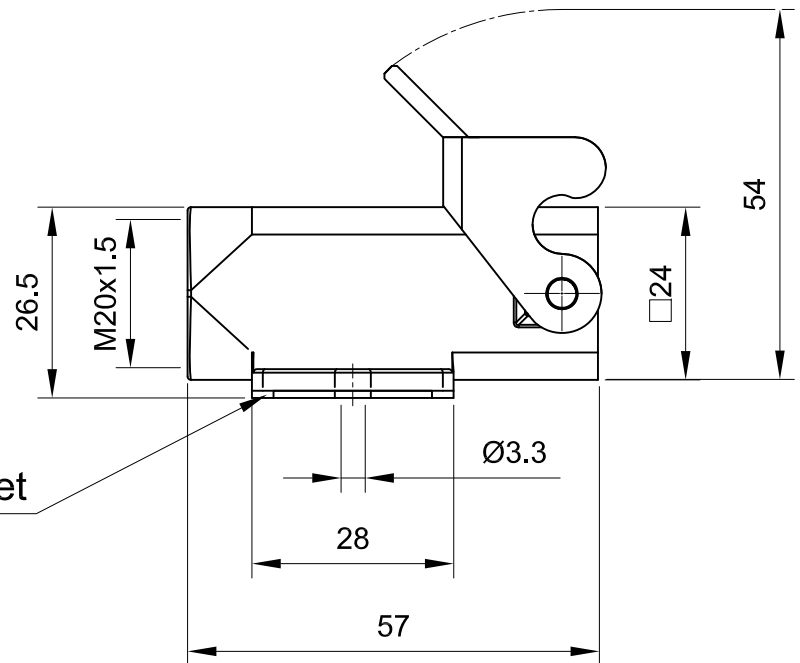



panel cut out



gasket



 InKonn (Suzhou) Electric Technology Co., Ltd.	All Dimensions in mm Original Size DIN A4	Date 2019-11-21	Drawing No. TC0851746	Rev. A00	Scale 1:1
	Part No. 10 07 003 0611	Created by Shuxu Huang	Checked by Yiyi Luo	Page 1/1	
Type Name HPA3-SM-SL-M20					