

1

2

3

4

5

6

A

A

B

B

C

C

D

D

PG16

36

InKonn

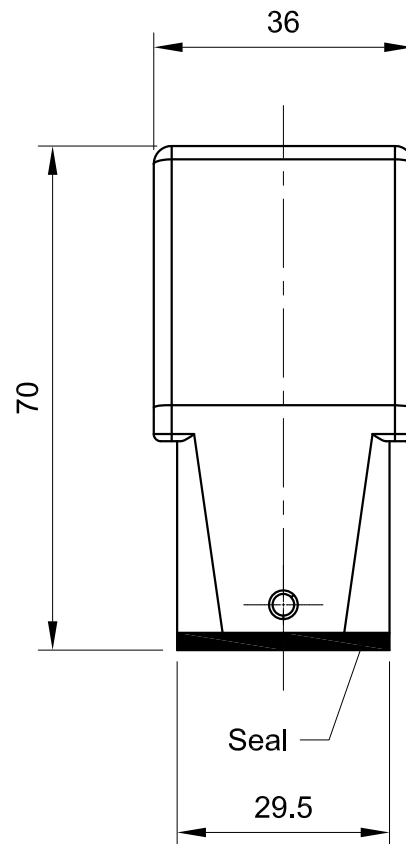
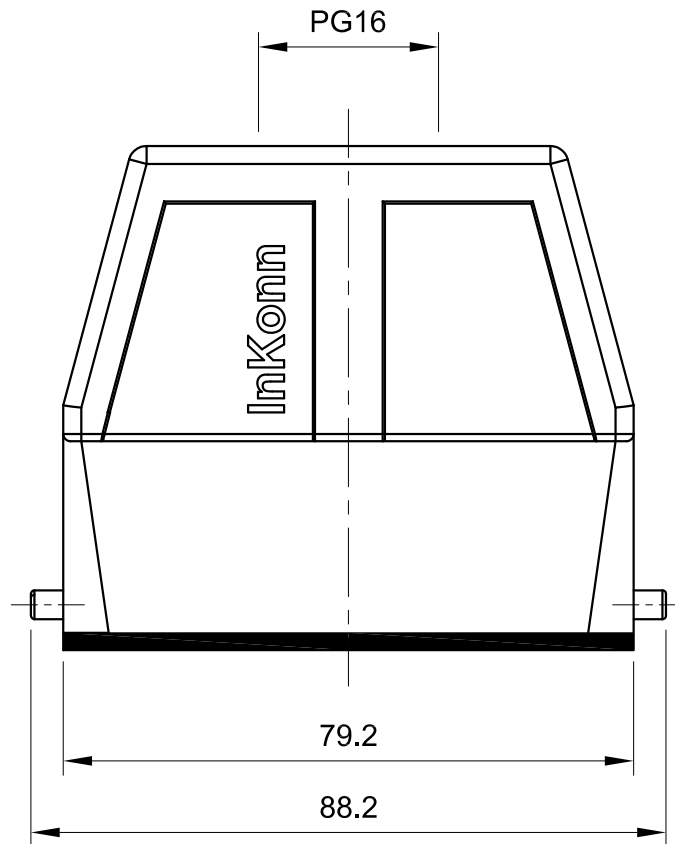
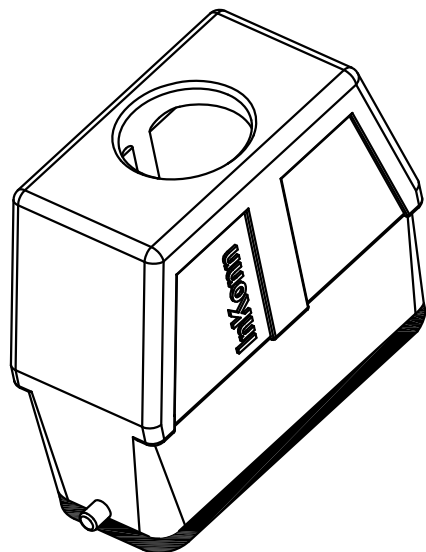
70



79.2

Seal

88.2

29.5



 All Dimensions in mm Original Size DIN A4	Date 2021-05-16	Drawing No. TC7328914	Rev. A00	Scale 1:1
	 InKonn® InKonn (Suzhou) Electric Technology Co.,Ltd.	Part No. 10 01 810 1002	Created by Shuxu Huang	Checked by Yiyi Luo
Type Name HA16-HTE-DB-PG16				

1

2

3

4

5

6