

1

2

3

4

5

6

A

A

B

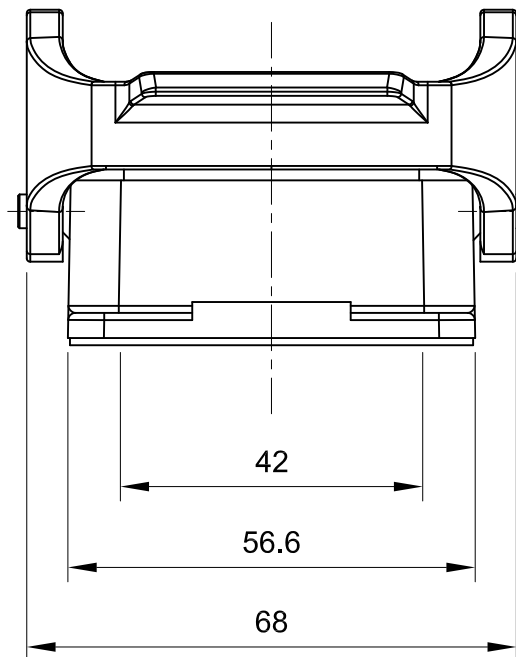
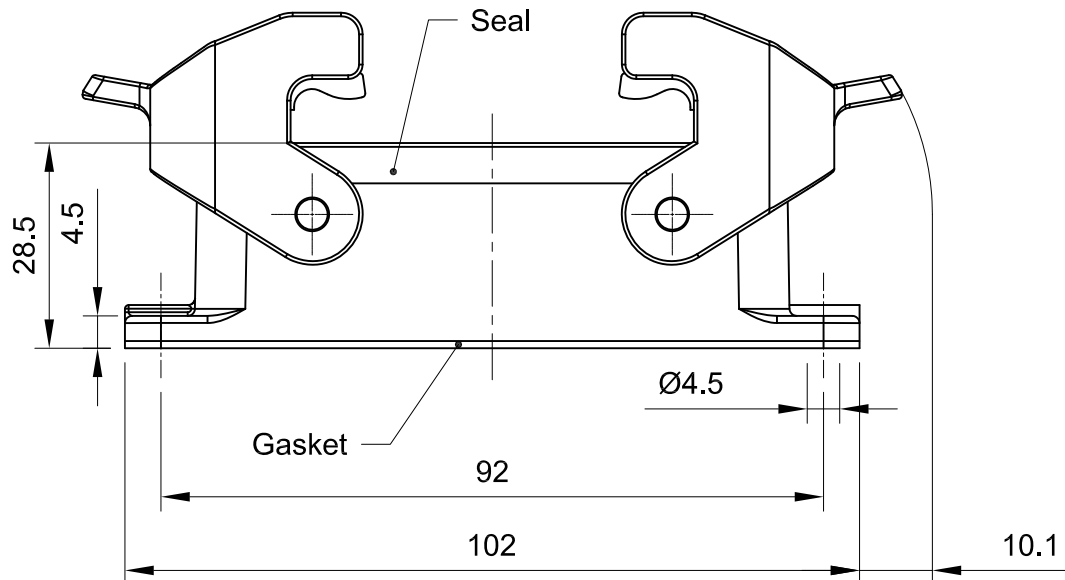
B

C

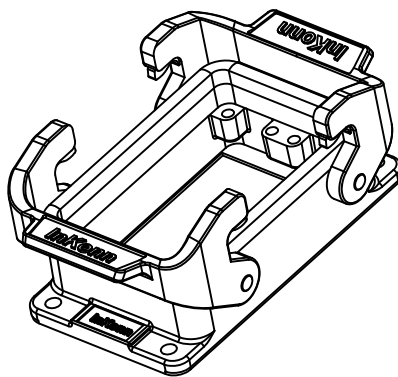
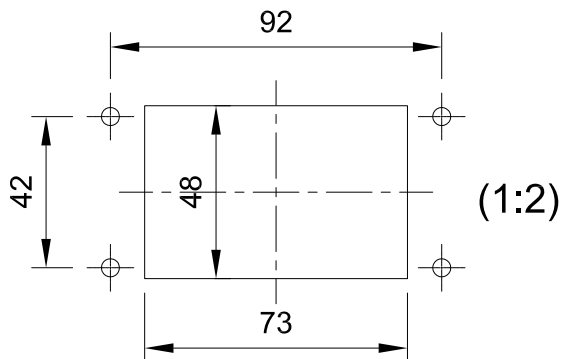
C



D

D



panel cut out



 InKonn (Suzhou) Electric Technology Co.,Ltd.	 All Dimensions in mm Original Size DIN A4	Date 2021-06-16	Drawing No. TC3109711	Rev. A00	Scale 1:1
	Part No. 10 01 032 0520	Created by Shuxu Huang	Checked by Yiyi Luo	Page 1/1	
Type Name HA32-BM-DL					

1

2

3

4

5

6